

6

5

4

3

2

1

D

D

C

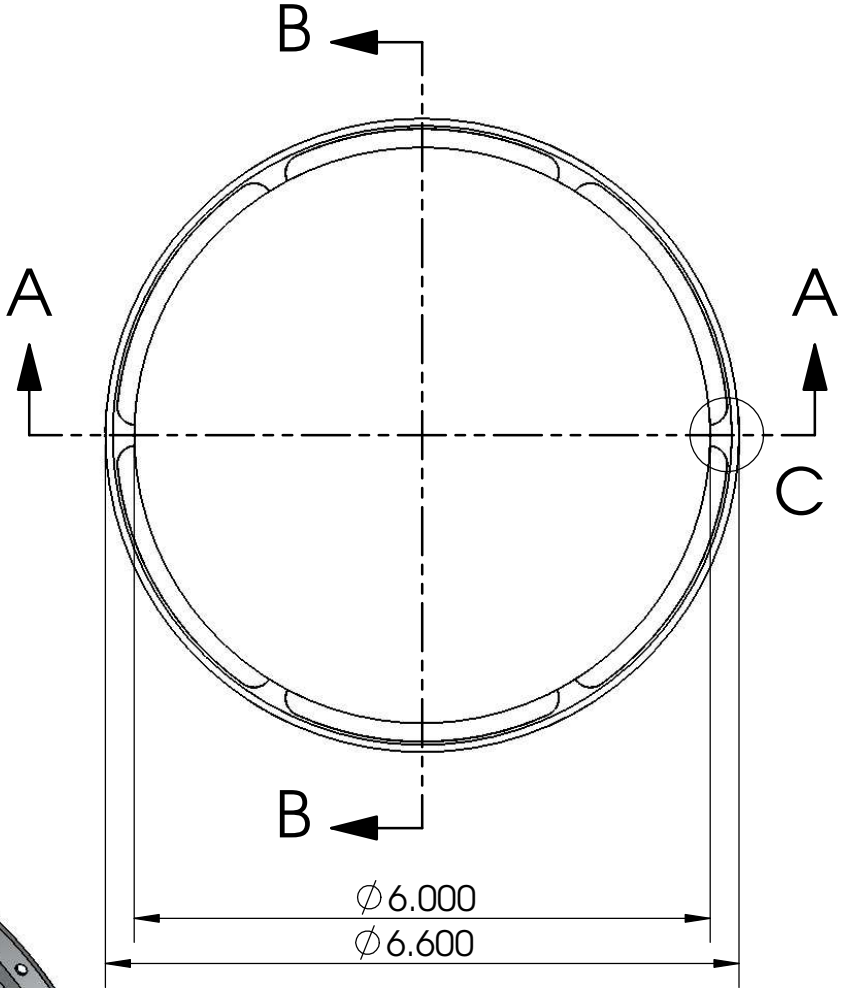
C

B

B

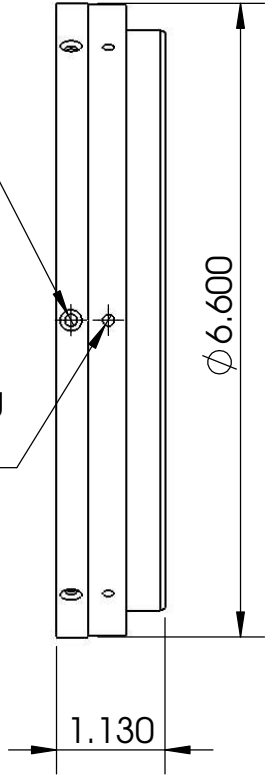
A

A



6X ϕ .129 THRU
 \checkmark ϕ .225 X 100°

6X ϕ .120 THRU
 (Helicoil)



UNLESS OTHERWISE SPECIFIED:
 DIMENSIONS ARE IN INCHES
 TOLERANCES:
 FRACTIONAL \pm 1/32
 ANGULAR: MACH \pm BEND \pm
 TWO PLACE DECIMAL \pm .01
 THREE PLACE DECIMAL \pm .001

	MATERIAL	6061-T6 aluminum
	FINISH	--
	Weight	
	DO NOT SCALE DRAWING	

	NAME	DATE
DRAWN	Joe S.	2017-4-11
CHECKED	--	
ENG APPR.	--	
MFG APPR.	--	

Description:
 Female coupling ring for the LV3 rocket

COMMENTS:

DWG. NO.		
--		
REV	SIZE	SCALE: 1:2
i	A	SHEET 1 OF 4

3

2

1

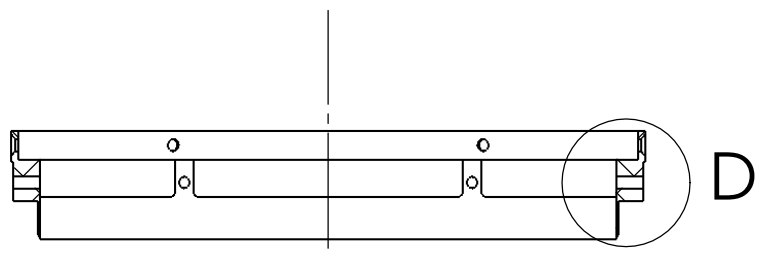
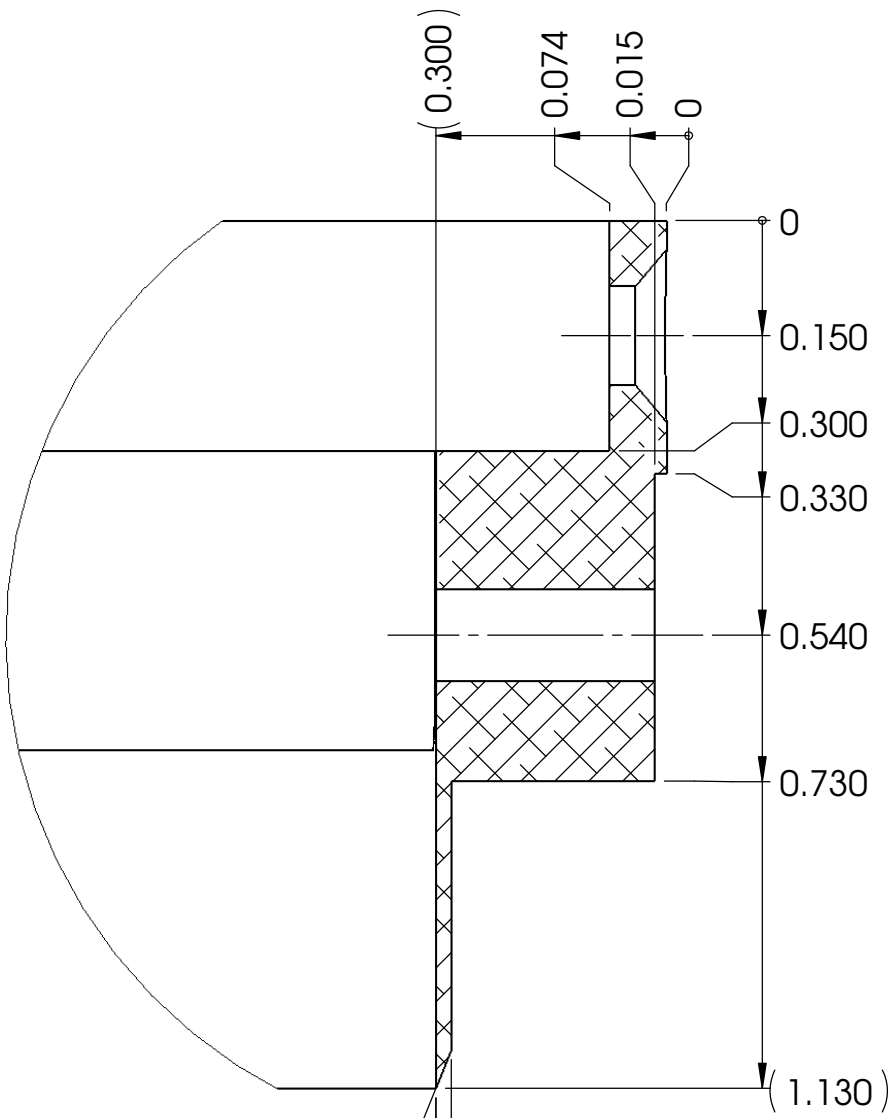
6 5 4 3 2 1

D D

C C

B B

A A



SECTION A-A

21.80°
0.020

DETAIL D
SCALE 4 : 1

UNLESS OTHERWISE SPECIFIED:
DIMENSIONS ARE IN INCHES
TOLERANCES:
FRACTIONAL ± 1/32
ANGULAR: MACH ± BEND ±
TWO PLACE DECIMAL ±.01
THREE PLACE DECIMAL ± .001



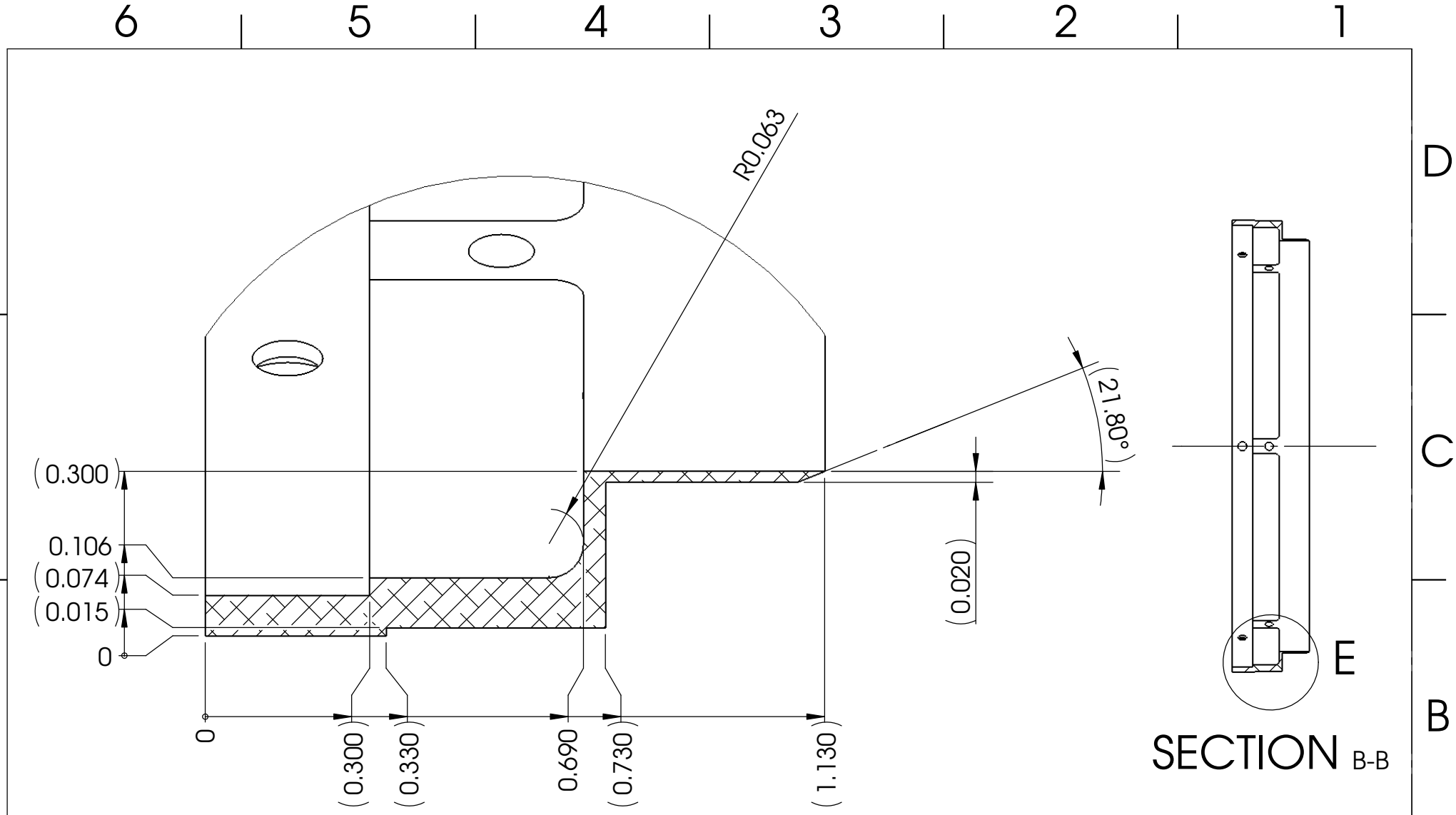
MATERIAL	6061-T6 aluminum
FINISH	--
Weight	
DO NOT SCALE DRAWING	

	NAME	DATE
DRAWN	Joe S.	2017-4-11
CHECKED	--	
ENG APPR.	--	
MFG APPR.	--	

Description:
Female coupling ring for the LV3 rocket

COMMENTS:

DWG. NO. --		
REV	SIZE	SCALE: 1:2
i	A	SHEET 2 OF 4



DETAIL E

SCALE 4 : 1



	NAME	DATE
DRAWN	Joe S.	2017-4-11
CHECKED	--	
ENG APPR.	--	
MFG APPR.	--	

Description:
Female coupling ring for the LV3 rocket

UNLESS OTHERWISE SPECIFIED:
DIMENSIONS ARE IN INCHES
TOLERANCES:
FRACTIONAL ± 1/32
ANGULAR: MACH ± BEND ±
TWO PLACE DECIMAL ±.01
THREE PLACE DECIMAL ± .001

MATERIAL	6061-T6 aluminum
FINISH	--
Weight	
DO NOT SCALE DRAWING	

COMMENTS:

DWG. NO.			--
REV	SIZE	SCALE: 1:2	
i	A	SHEET 3 OF 4	

6

5

4

3

2

1

2X R0.194

D

D

C

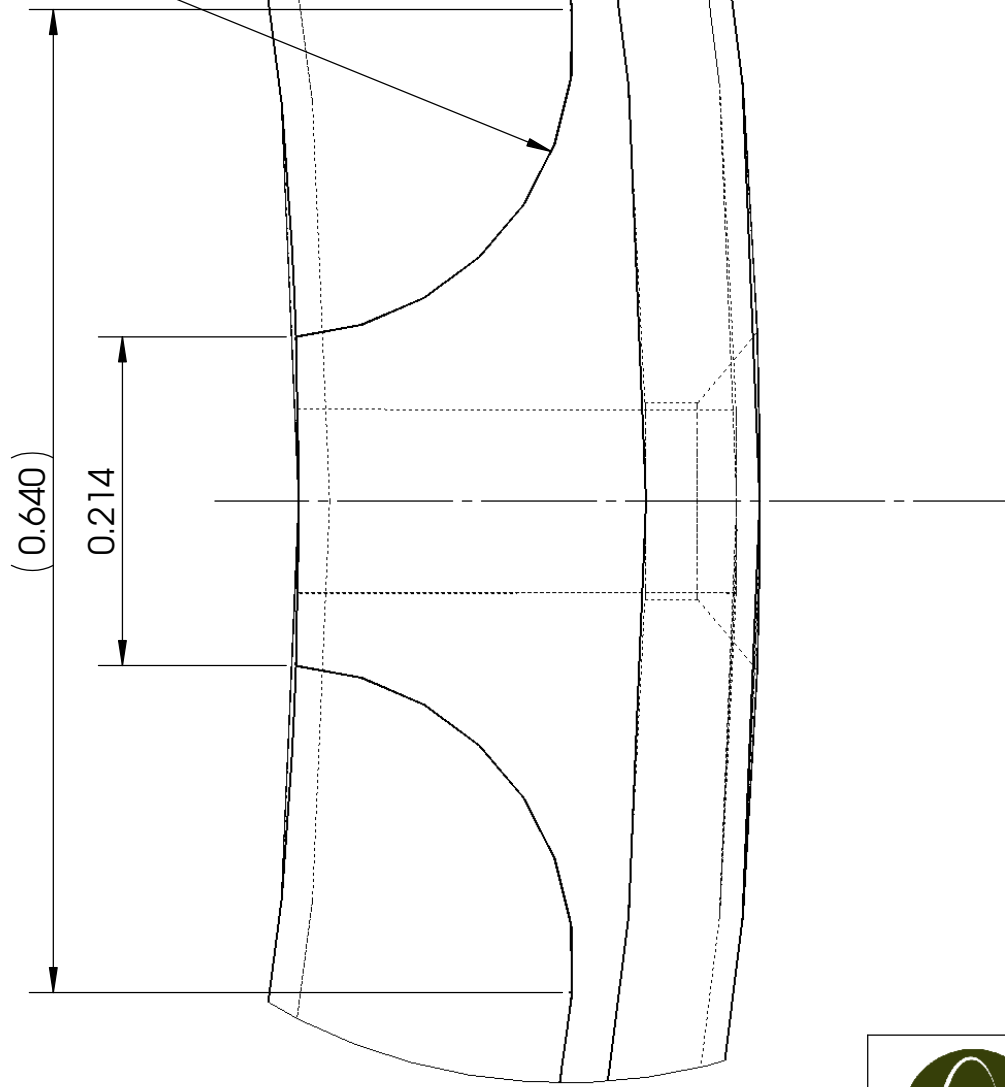
C

B

B

A

A



DETAIL C
SCALE 8 : 1

UNLESS OTHERWISE SPECIFIED:
 DIMENSIONS ARE IN INCHES
 TOLERANCES:
 FRACTIONAL ± 1/32
 ANGULAR: MACH ± BEND ±
 TWO PLACE DECIMAL ±.01
 THREE PLACE DECIMAL ± .001

	MATERIAL	6061-T6 aluminum
	FINISH	--
	Weight	
	DO NOT SCALE DRAWING	

	NAME	DATE
DRAWN	Joe S.	2017-4-11
CHECKED	--	
ENG APPR.	--	
MFG APPR.	--	

Description:
 Female coupling ring for the LV3 rocket

COMMENTS:

DWG. NO.		--
REV	SIZE	SCALE: 1:2
i	A	SHEET 4 OF 4

3

2

1