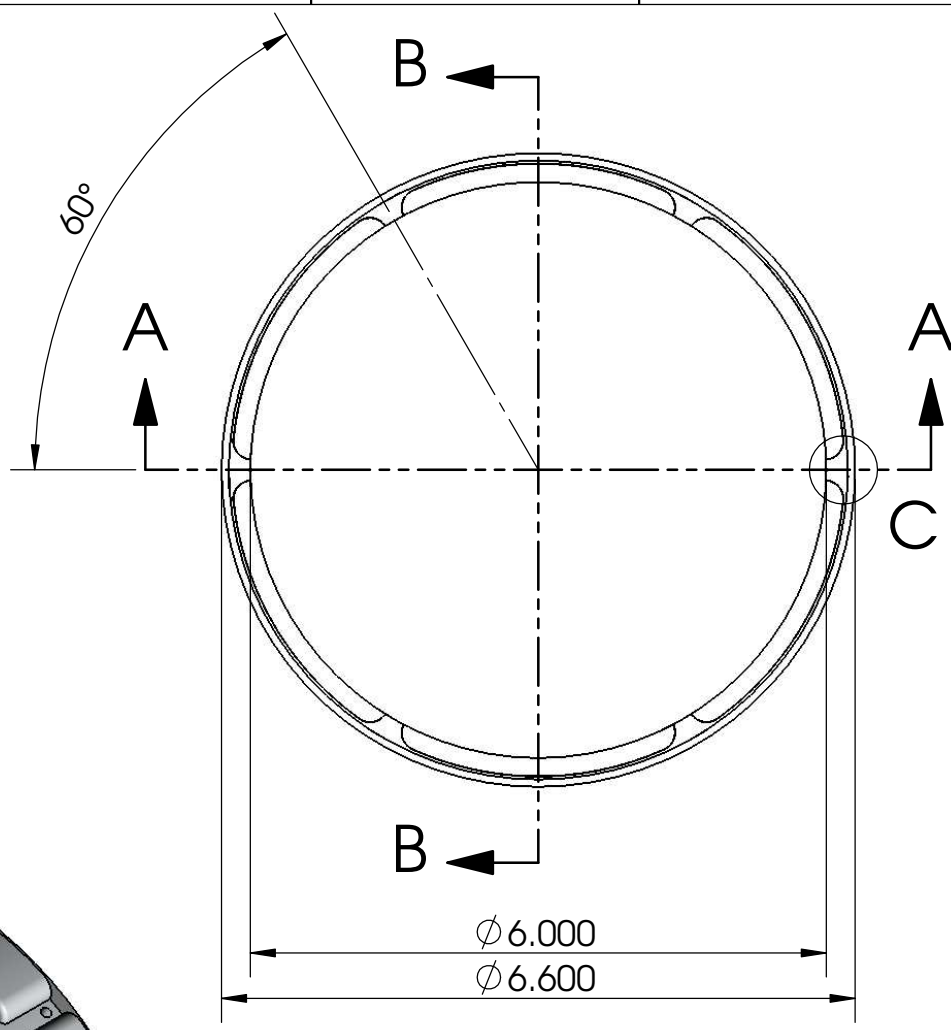


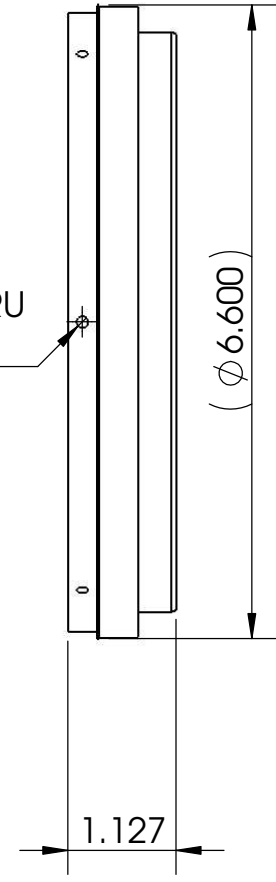
6 5 4 3 2 1

D  
C  
B  
A

D  
C  
B  
A



6X  $\phi .120$  THRU  
(Helicoil)



UNLESS OTHERWISE SPECIFIED:  
DIMENSIONS ARE IN INCHES  
TOLERANCES:  
FRACTIONAL  $\pm 1/32$   
ANGULAR: MACH  $\pm$  BEND  $\pm$   
TWO PLACE DECIMAL  $\pm .01$   
THREE PLACE DECIMAL  $\pm .001$

	MATERIAL	6061-T6 aluminum
	FINISH	--
	Weight	
	DO NOT SCALE DRAWING	

	NAME	DATE
DRAWN	Joe S.	2017-4-11
CHECKED	--	
ENG APPR.	--	
MFG APPR.	--	

Description:  
Male coupling ring for the LV3 rocket

COMMENTS:

DWG. NO.			--
REV	SIZE	SCALE: 1:2	
i	<b>A</b>	SHEET 1 OF 4	

4 3 2 1

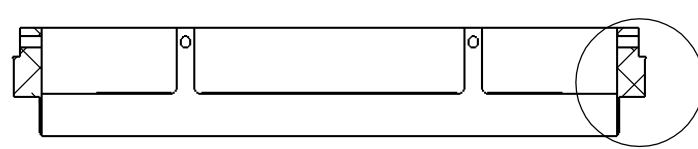
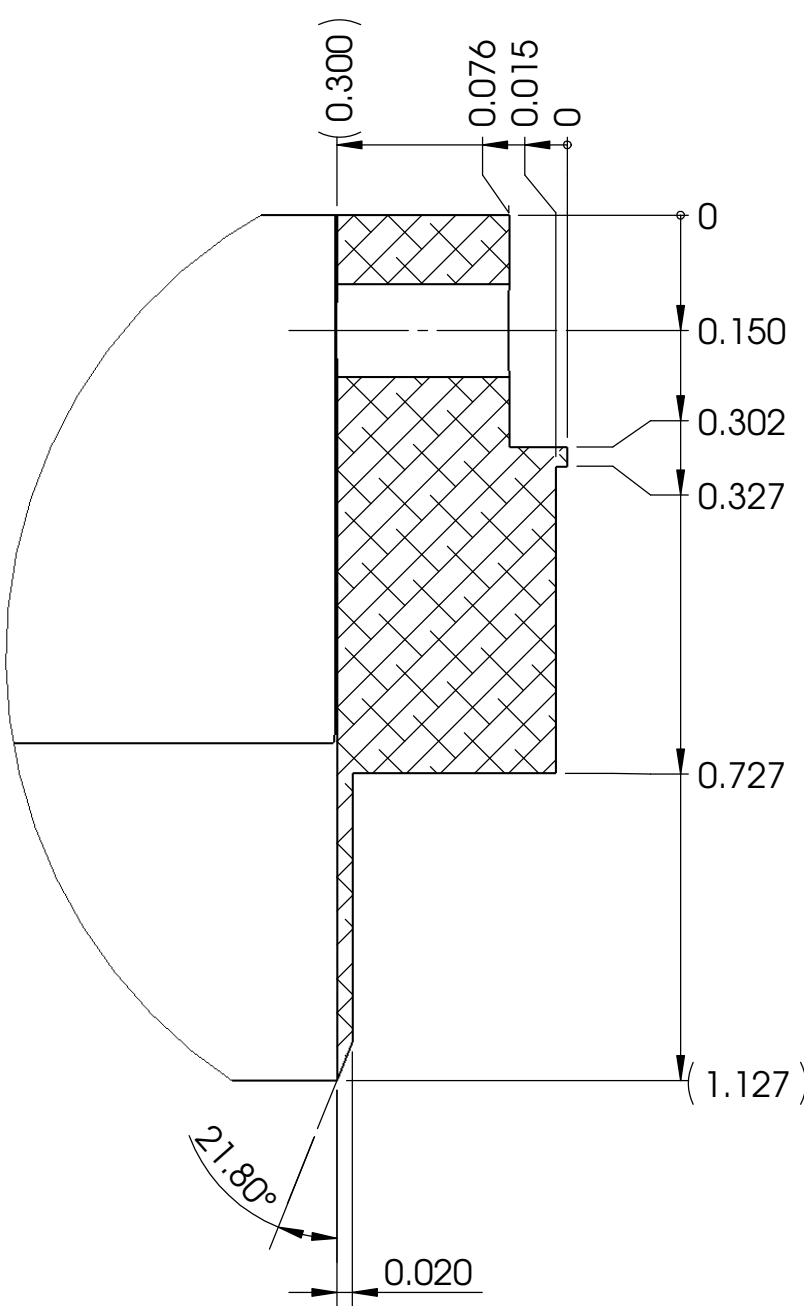
6 5 4 3 2 1

D D

C C

B B

A A



SECTION A-A

21.80°  
0.020

DETAIL D  
SCALE 4 : 1

UNLESS OTHERWISE SPECIFIED:  
DIMENSIONS ARE IN INCHES  
TOLERANCES:  
FRACTIONAL ± 1/32  
ANGULAR: MACH ± BEND ±  
TWO PLACE DECIMAL ±.01  
THREE PLACE DECIMAL ± .001



MATERIAL	6061-T6 aluminum
FINISH	--
Weight	
DO NOT SCALE DRAWING	

	NAME	DATE
DRAWN	Joe S.	2017-4-11
CHECKED	--	
ENG APPR.	--	
MFG APPR.	--	

Description:  
Male coupling ring for the LV3 rocket

COMMENTS:

DWG. NO.			--
REV	SIZE	SCALE: 1:2	
i	<b>A</b>	SHEET 2 OF 4	

6 5 4 3 2 1

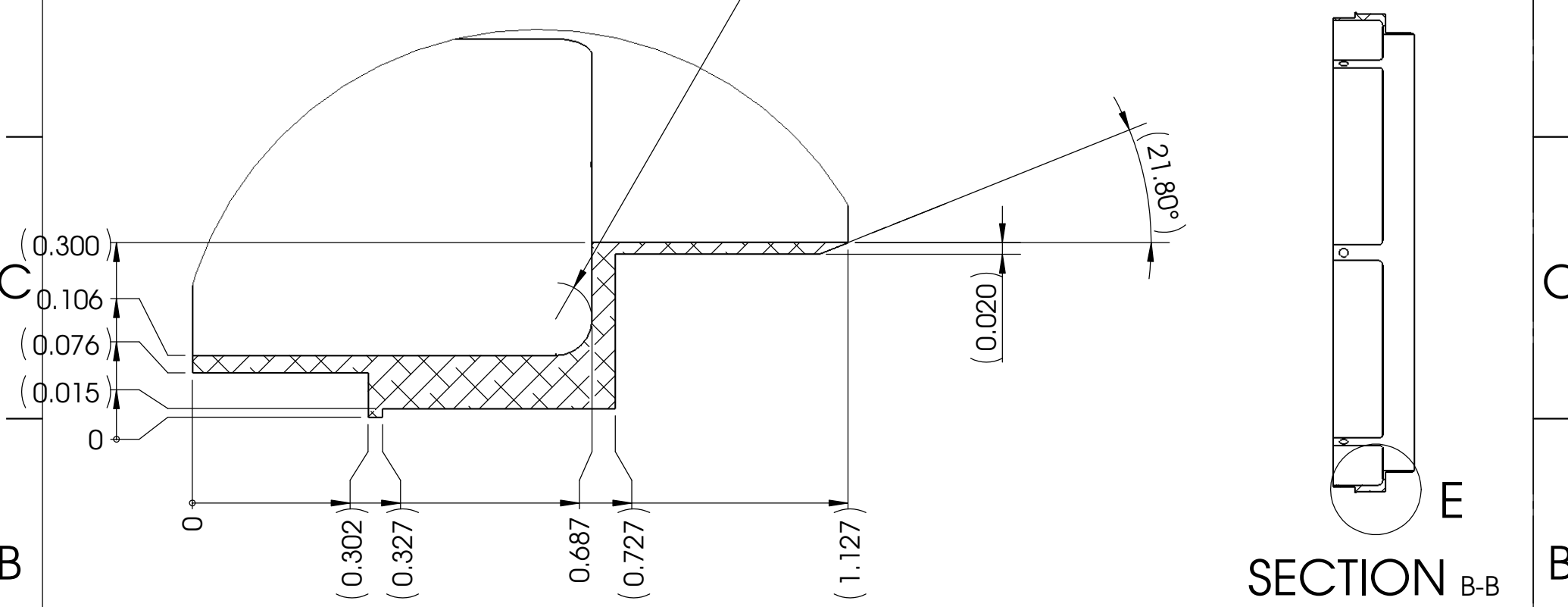
D

C

B

A

6 5 4 3 2 1



DETAIL E  
SCALE 4 : 1

SECTION B-B



	NAME	DATE
DRAWN	Joe S.	2017-4-11
CHECKED	--	
ENG APPR.	--	
MFG APPR.	--	

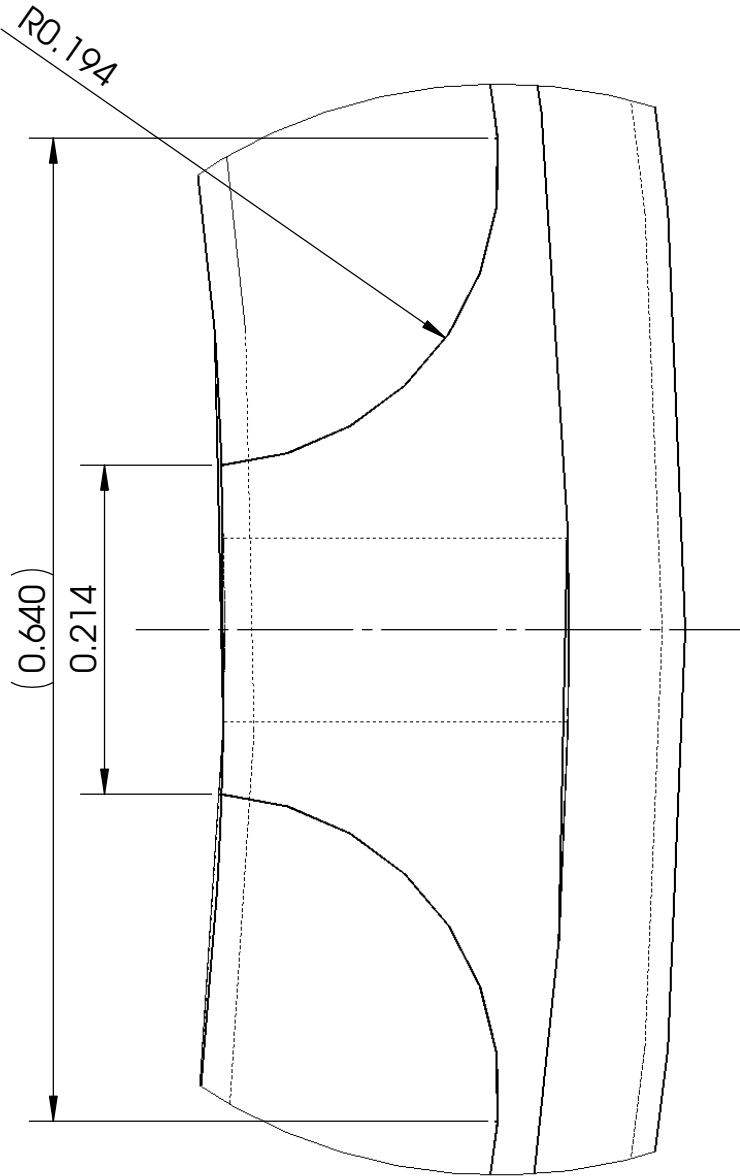
Description:  
Male coupling ring for the LV3 rocket

UNLESS OTHERWISE SPECIFIED:  
DIMENSIONS ARE IN INCHES  
TOLERANCES:  
FRACTIONAL ± 1/32  
ANGULAR: MACH ± BEND ±  
TWO PLACE DECIMAL ±.01  
THREE PLACE DECIMAL ± .001

MATERIAL	6061-T6 aluminum
FINISH	--
Weight	
DO NOT SCALE DRAWING	

COMMENTS:

DWG. NO.			--
REV	SIZE	SCALE: 1:2	
i	<b>A</b>	SHEET 3 OF 4	



**DETAIL C**  
SCALE 8 : 1

UNLESS OTHERWISE SPECIFIED:  
 DIMENSIONS ARE IN INCHES  
 TOLERANCES:  
 FRACTIONAL ± 1/32  
 ANGULAR: MACH ± BEND ±  
 TWO PLACE DECIMAL ±.01  
 THREE PLACE DECIMAL ± .001

	MATERIAL 6061-T6 aluminum
	FINISH --
	Weight
	DO NOT SCALE DRAWING

	NAME	DATE
DRAWN	Joe S.	2017-4-11
CHECKED	--	
ENG APPR.	--	
MFG APPR.	--	

Description:  
Male coupling ring for the LV3 rocket

COMMENTS:  
There appear to be rendering errors in this view.

DWG. NO. --		
REV i	SIZE <b>A</b>	SCALE: 1:2 SHEET 4 OF 4