

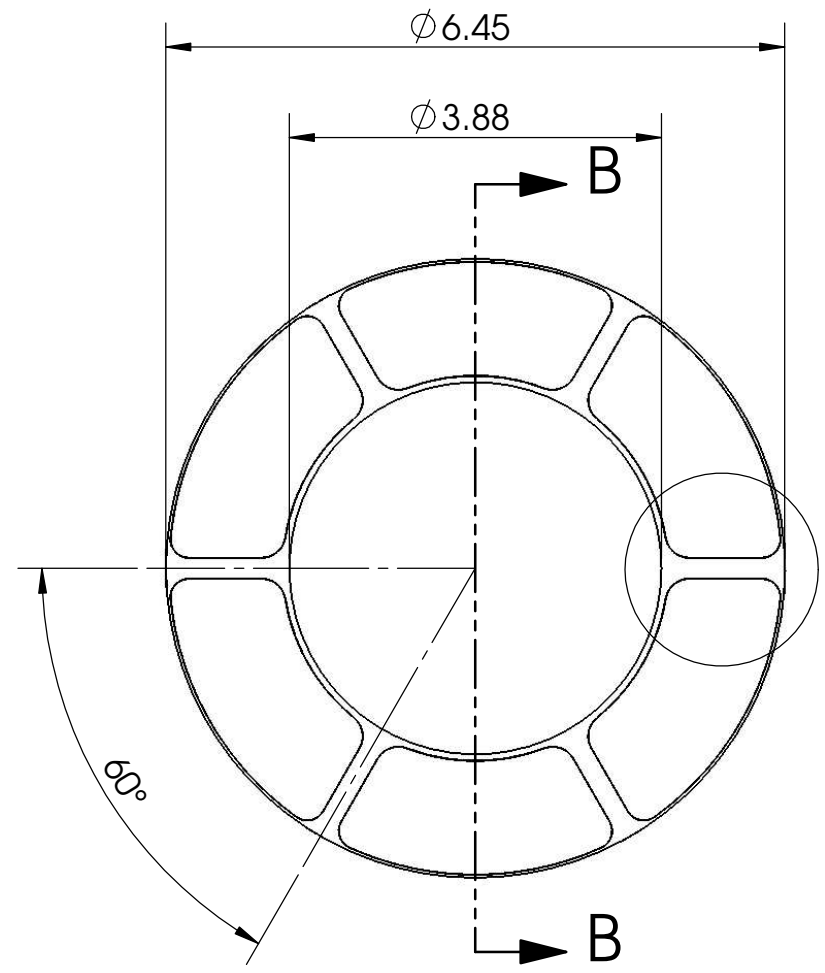
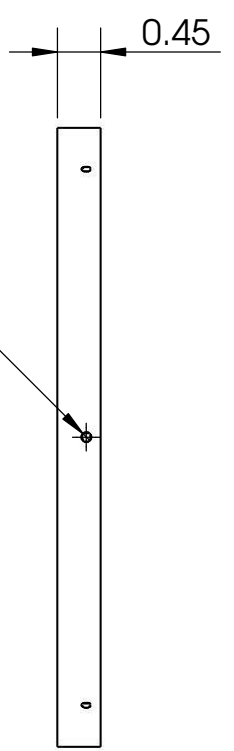
6 5 4 3 2 1

D
C
B
A

D
C
B
A



6X ϕ .089 ∇ .30
4-40 UNC ∇ .22



	NAME	DATE
DRAWN	Joe S.	2017-4-5
CHECKED	--	
ENG APPR.	--	
MFG APPR.	--	

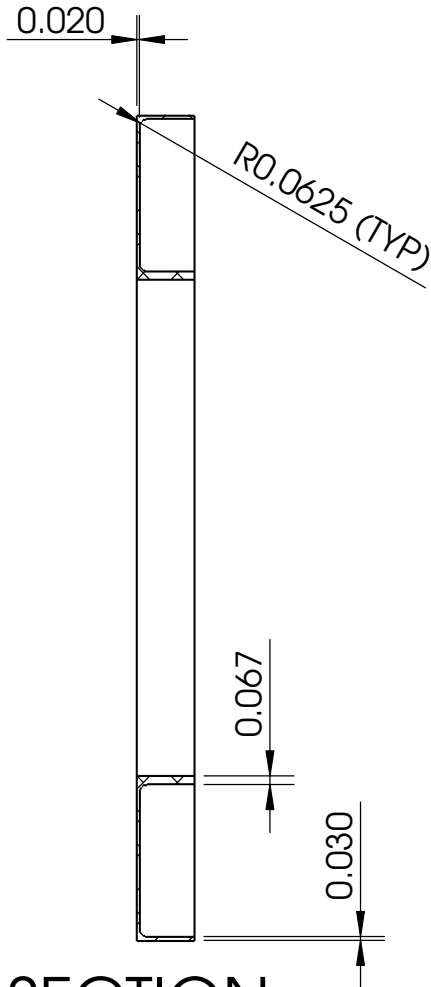
Description:
The plate that caps the back of the LV3 rocket, bearing the load of the engine.

UNLESS OTHERWISE SPECIFIED:
DIMENSIONS ARE IN INCHES
TOLERANCES:
FRACTIONAL \pm 1/32
ANGULAR: MACH \pm BEND \pm
TWO PLACE DECIMAL \pm .01
THREE PLACE DECIMAL \pm .001

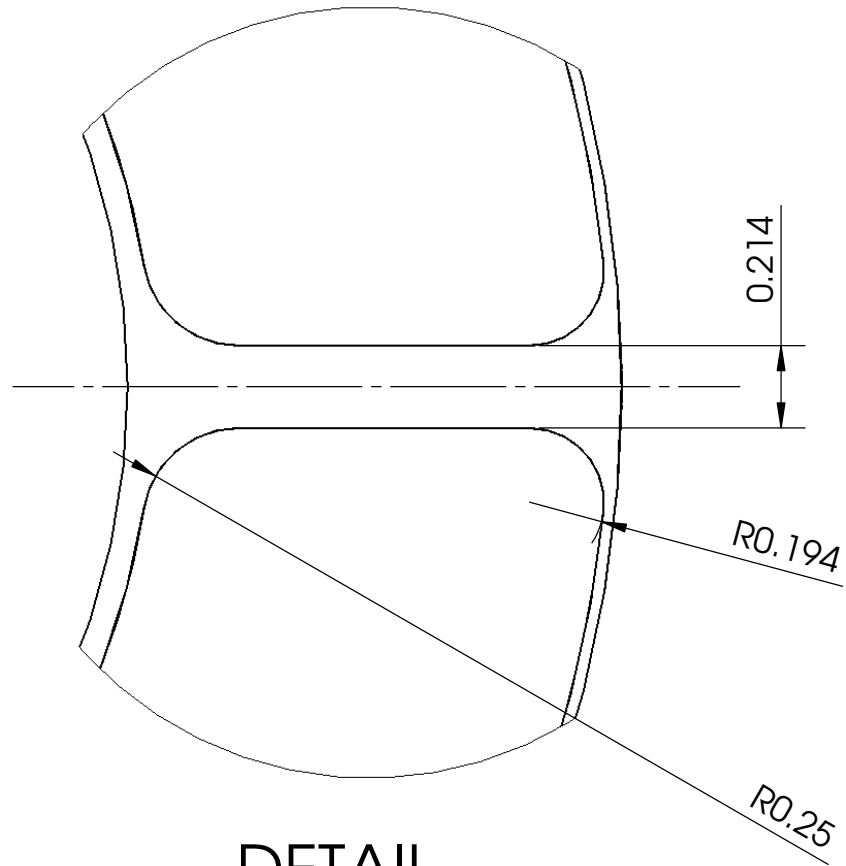
MATERIAL	6061-T6 aluminum
FINISH	--
Weight	
DO NOT SCALE DRAWING	

COMMENTS:
PSAS has the appropriate Helicoil kit, so tapping the holes is unnecessary.

DWG. NO.			--
REV	SIZE	SCALE: 1:2	
i	A	SHEET 1 OF 2	




SECTION B-B
SCALE 1 : 1.5



DETAIL A
SCALE 2 : 1

UNLESS OTHERWISE SPECIFIED:
DIMENSIONS ARE IN INCHES
TOLERANCES:
FRACTIONAL $\pm 1/32$
ANGULAR: MACH \pm BEND \pm
TWO PLACE DECIMAL $\pm .01$
THREE PLACE DECIMAL $\pm .001$

	MATERIAL	6061-T6 aluminum
	FINISH	--
	Weight	
	DO NOT SCALE DRAWING	

	NAME	DATE
DRAWN	Joe S.	2017-4-5
CHECKED	--	
ENG APPR.	--	
MFG APPR.	--	

Description:
The plate that caps the back of the LV3 rocket, bearing the load of the engine.

COMMENTS:

DWG. NO.		
--		
REV	SIZE	SCALE: 1:2
i	A	SHEET 2 OF 2