

6

5

4

3

2

1

D

D

C

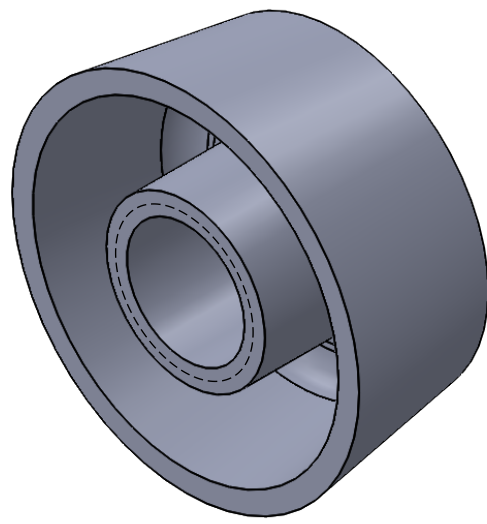
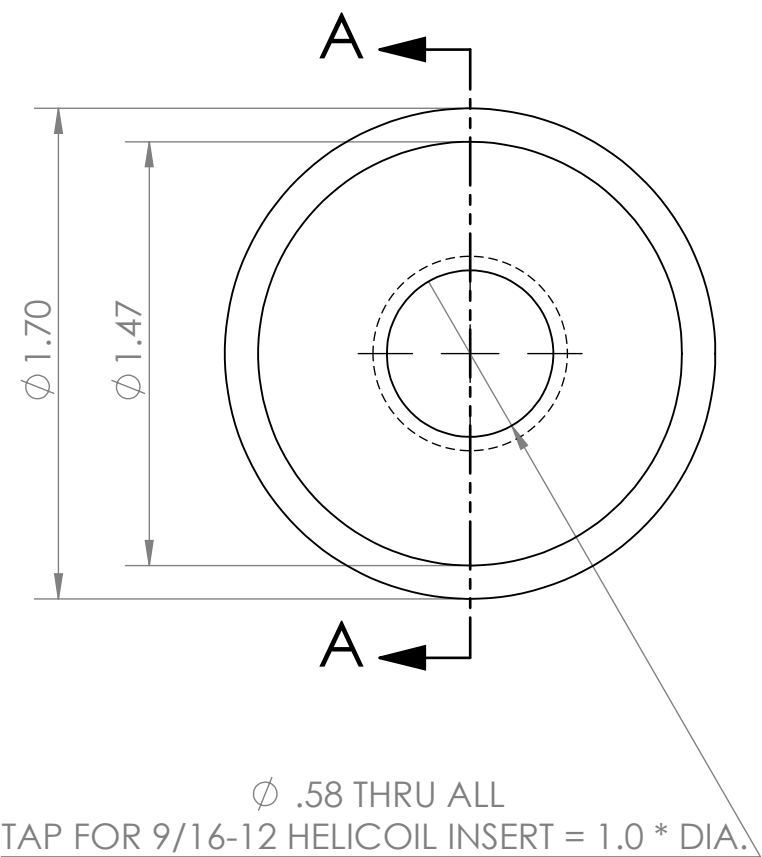
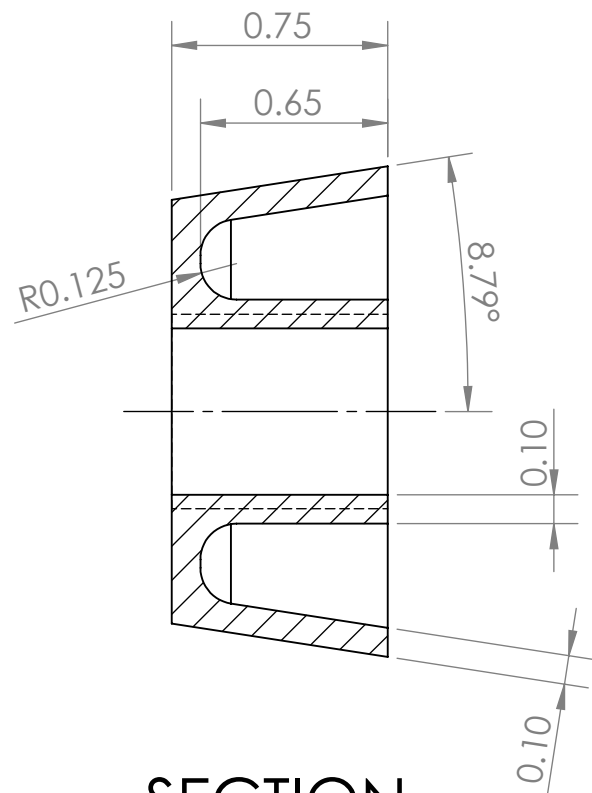
C

B

B

A

A



UNLESS OTHERWISE SPECIFIED:  
 DIMENSIONS ARE IN INCHES  
 TOLERANCES:  
 FRACTIONAL  $\pm 1/32$   
 ANGULAR: MACH  $\pm$  BEND  $\pm$   
 TWO PLACE DECIMAL  $\pm .01$   
 THREE PLACE DECIMAL  $\pm .001$

	MATERIAL	6061-T6 aluminum
	FINISH	--
	Weight	
	DO NOT SCALE DRAWING	

	NAME	DATE
DRAWN	J. Shields	2017-5-23
CHECKED	--	
ENG APPR.	--	
MFG APPR.	--	

Description:  
 The nose plug retains the aluminum tip on the LV3 nosecone.

COMMENTS:  
 This is the second revision of the part.

DWG. NO.		
--		
REV	SIZE	SCALE: 3:2
i	<b>A</b>	SHEET 1 OF 1

6

5

4

3

2

1