

6

5

4

3

2

1

D

D

C

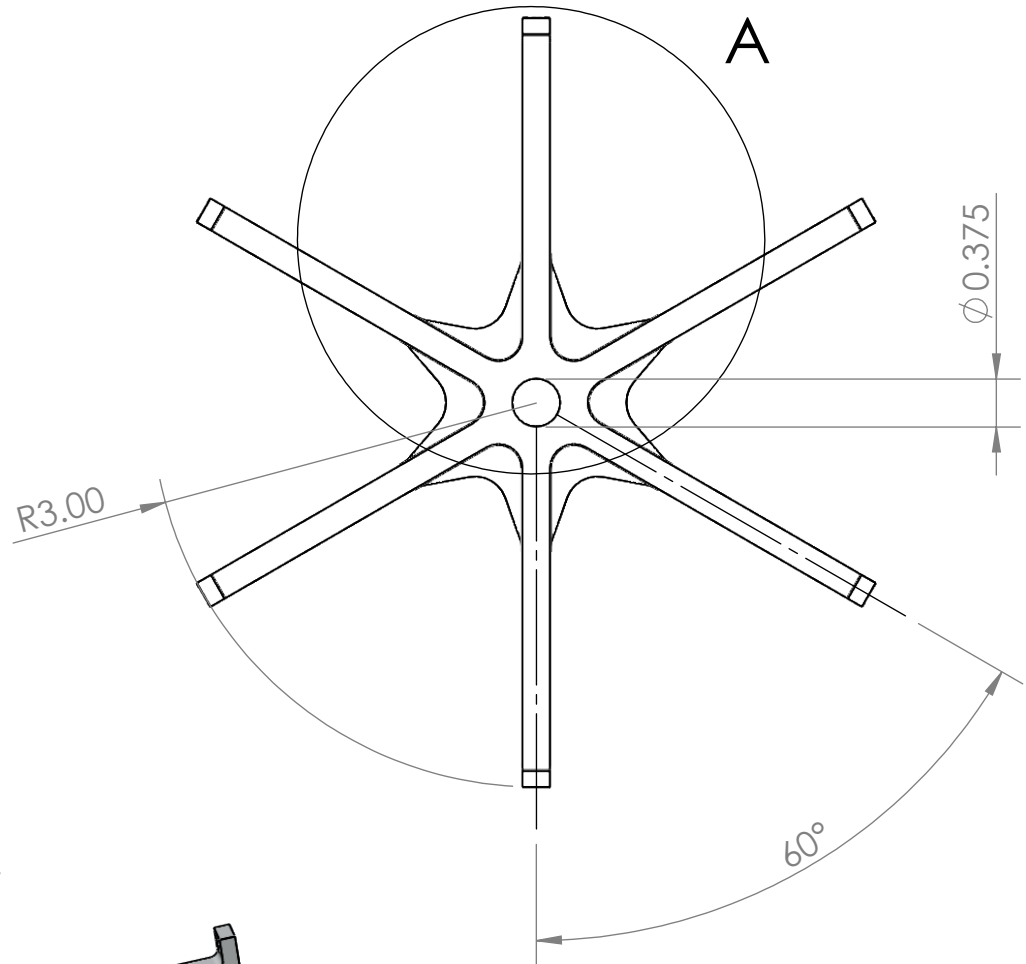
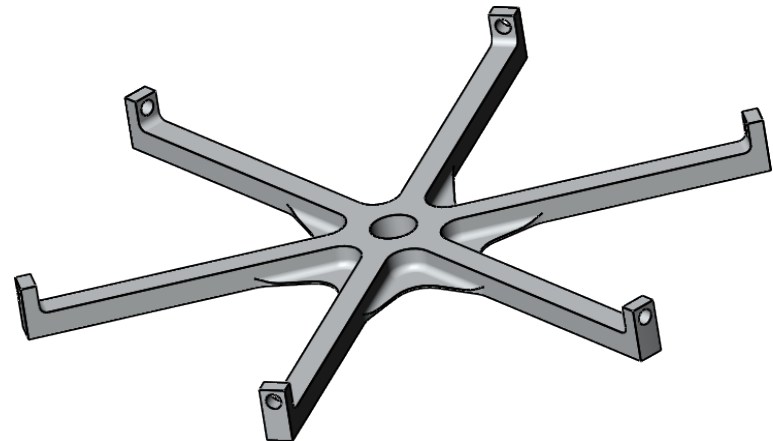
C

B

B

A

A



SOLIDWORKS Educational Product. For Instructional Use Only

UNLESS OTHERWISE SPECIFIED:
 DIMENSIONS ARE IN INCHES
 TOLERANCES:
 FRACTIONS: 1/32
 ANGULAR: MACH ± BEND ±
 TWO PLACE DECIMAL ±.01
 THREE PLACE DECIMAL ± .001

	MATERIAL	6061-T6 aluminum
	FINISH	--
	Weight	
	DO NOT SCALE DRAWING	

	NAME	DATE
DRAWN	Joe S.	2017-4-5
CHECKED	--	--
ENG APPR.	--	--
MFG APPR.	--	--

Description:
 This attaches the front of the motor to the inside of the LV3 rocket.

COMMENTS:

DWG. NO.		--
REV	SIZE	SCALE: 2:3
i	A	SHEET 1 OF 3

6

5

4

3

2

1

6 5 4 3 2 1

D

C

B

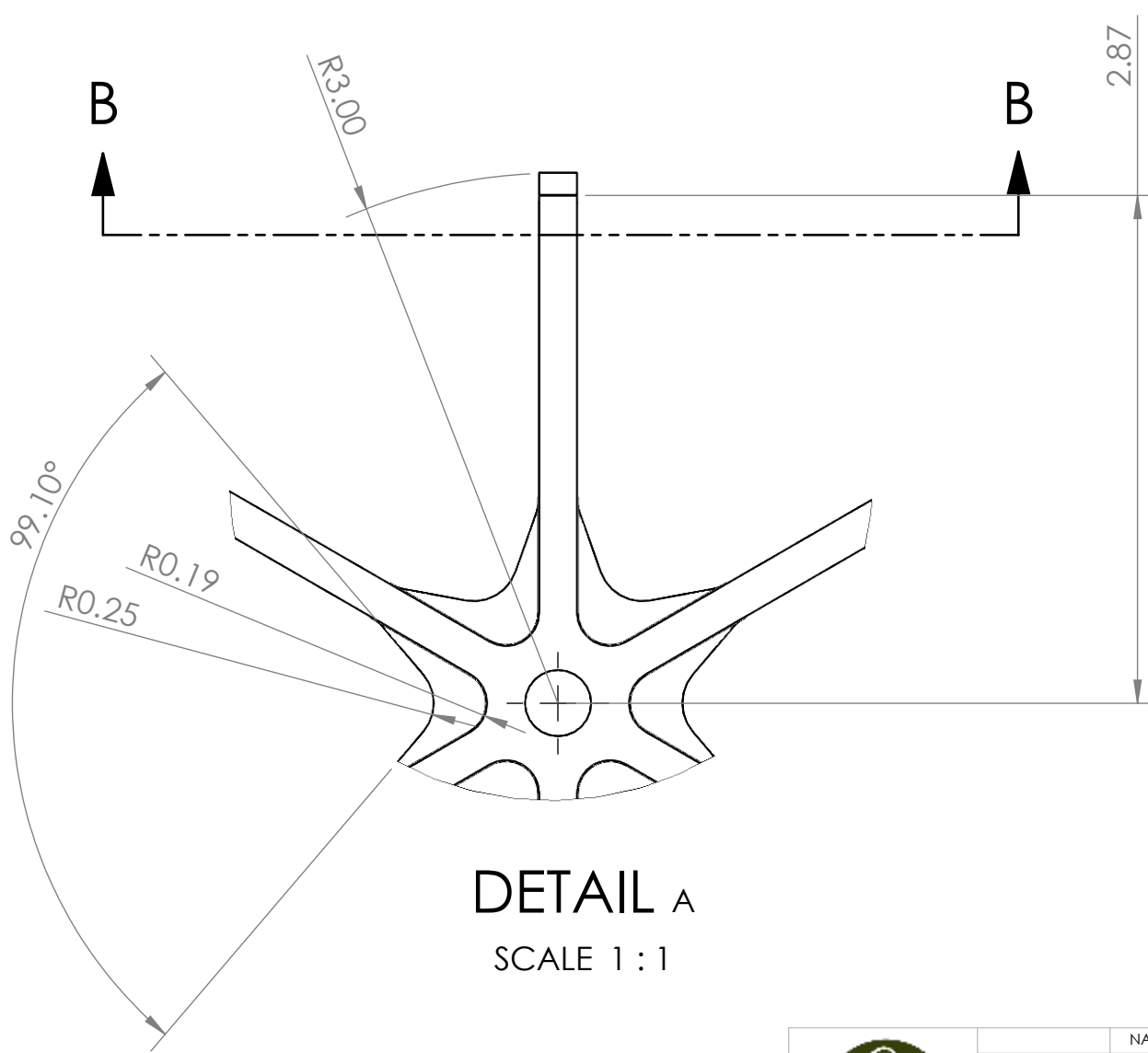
A

D

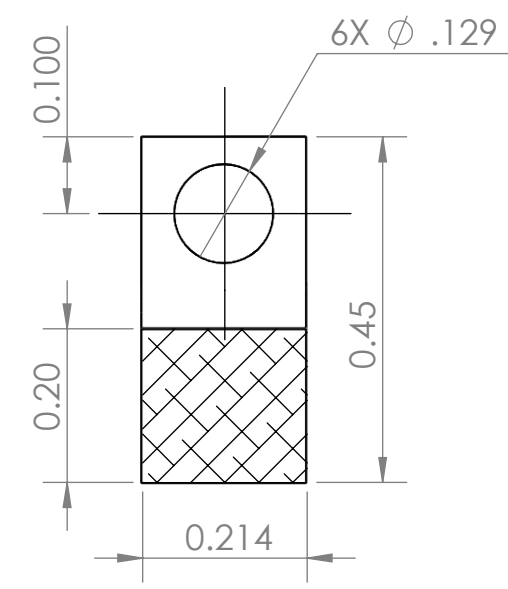
C

B

A



DETAIL A
SCALE 1 : 1



SECTION B-B
SCALE 4 : 1

SOLIDWORKS Educational Product. For Instructional Use Only

UNLESS OTHERWISE SPECIFIED:
DIMENSIONS ARE IN INCHES
TOLERANCES:
FRACTIONS: 1/32
ANGULAR: MACH ± BEND ±
TWO PLACE DECIMAL ±.01
THREE PLACE DECIMAL ± .001

	MATERIAL	6061-T6 aluminum
	FINISH	--
	Weight	
	DO NOT SCALE DRAWING	

	NAME	DATE
DRAWN	Joe S.	2017-4-5
CHECKED	--	--
ENG APPR.	--	--
MFG APPR.	--	--

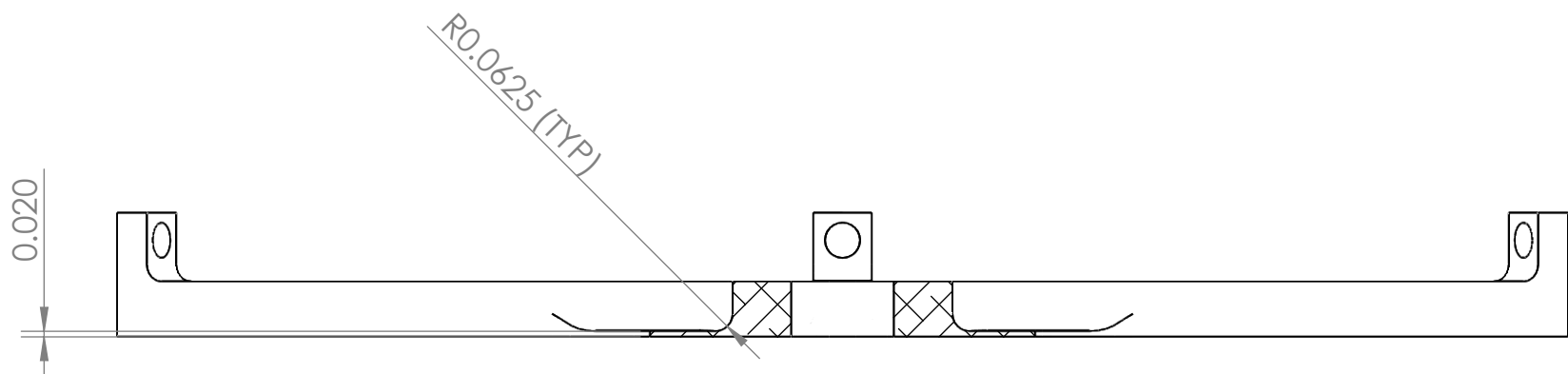
Description:
This attaches the front of the motor to the inside of the LV3 rocket.

COMMENTS:

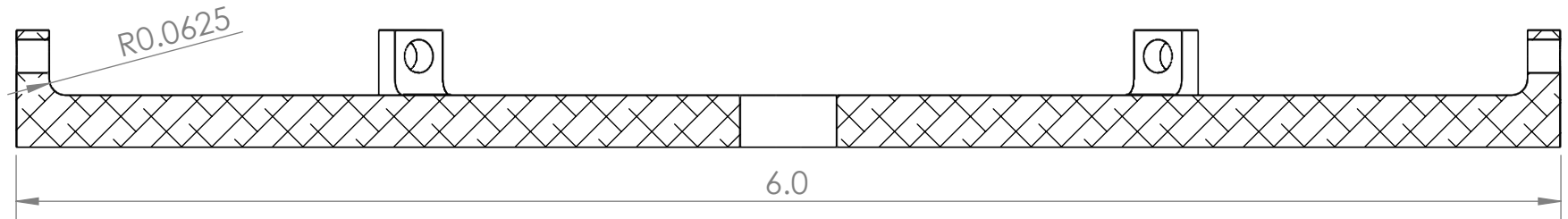
DWG. NO.		--
REV	SIZE	SCALE: 2:3
i	A	SHEET 2 OF 3

6 5 4 3 2 1

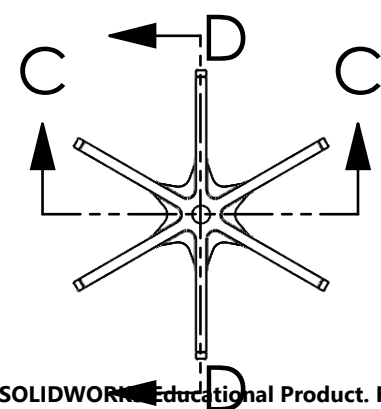
6 5 4 3 2 1



SECTION C-C
SCALE 1.5 : 1



SECTION D-D
SCALE 1.5 : 1



SOLIDWORKS Educational Product. For Instructional Use Only

UNLESS OTHERWISE SPECIFIED:
DIMENSIONS ARE IN INCHES
TOLERANCES:
FRACTIONAL: 1/32
ANGULAR: MACH ± BEND ±
TWO PLACE DECIMAL ±.01
THREE PLACE DECIMAL ± .001

	MATERIAL	6061-T6 aluminum
	FINISH	--
	Weight	
	DO NOT SCALE DRAWING	

	NAME	DATE
DRAWN	Joe S.	2017-4-5
CHECKED	Ian Z.	2017-5-22
ENG APPR.	--	--
MFG APPR.	--	--

Description:
This attaches the front of the motor to the inside of the LV3 rocket.

COMMENTS:

DWG. NO.		--
REV	SIZE	SCALE: 2:3
i	A	SHEET 3 OF 3

6 5 4 3 2 1