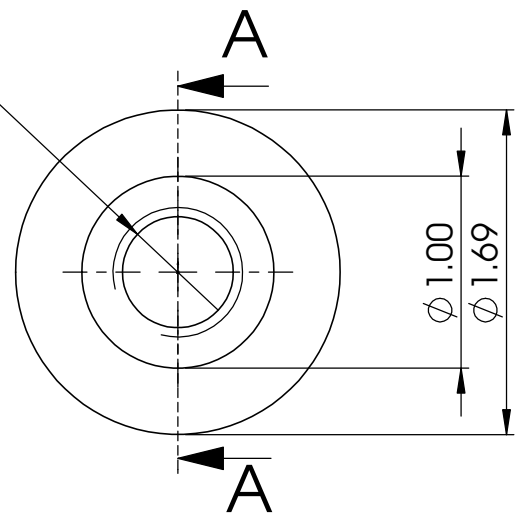


6 5 4 3 2 1

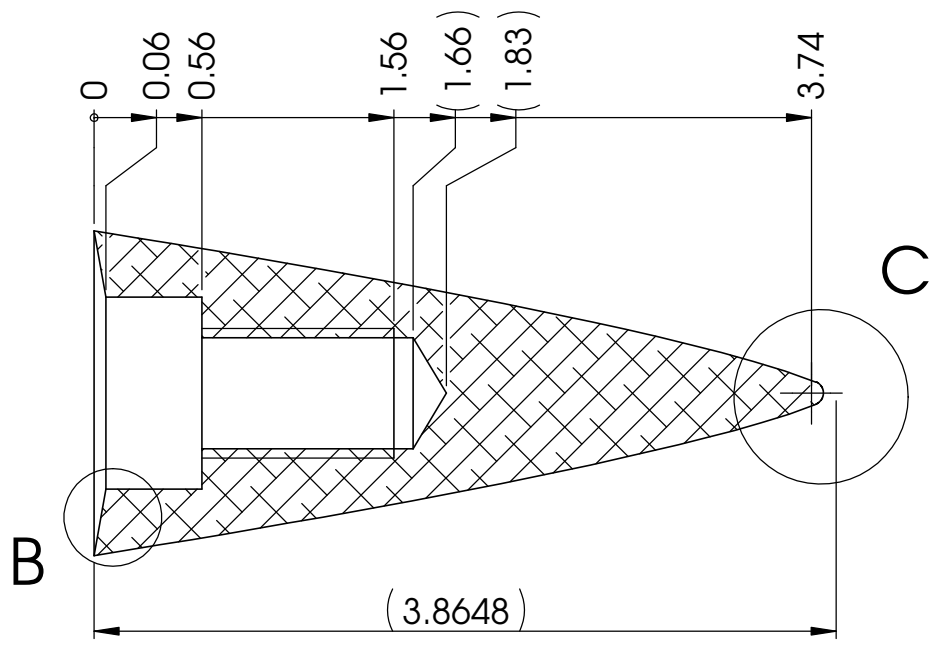
D
C
B
A

D
C
B
A

$\phi 0.58 \nabla 1.10$
TAP FOR 9/16-12 HELICOIL Insert = 1.0 * Dia.



BACK VIEW



SECTION A-A

UNLESS OTHERWISE SPECIFIED:
DIMENSIONS ARE IN INCHES
TOLERANCES:
FRACTIONAL $\pm 1/32$
ANGULAR: MACH \pm BEND \pm
TWO PLACE DECIMAL ± 0.01
THREE PLACE DECIMAL ± 0.001



	NAME	DATE
DRAWN	--	
CHECKED	--	
ENG APPR.	--	
MFG APPR.	--	

Description:
rocket nosecone tip for Launch Vehicle 3 (LV3)

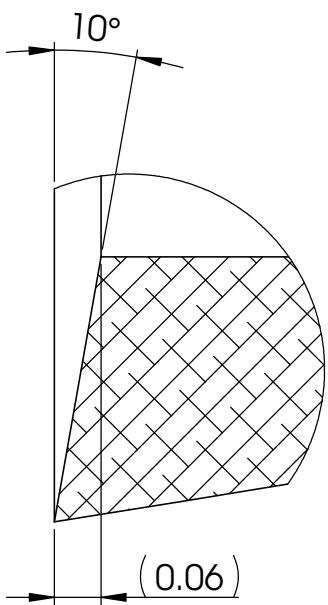
MATERIAL
FINISH
Weight
DO NOT SCALE DRAWING

COMMENTS:

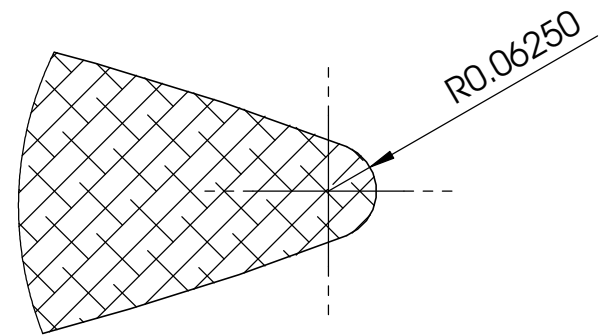
DWG. NO. --		
REV	SIZE	SCALE: 1:1
i	A	SHEET 1 OF 2

4 3 2 1

6 5 4 3 2 1



DETAIL B
SCALE 4 : 1




DETAIL C
SCALE 4 : 1

D
C
B
A

D
C
B
A

UNLESS OTHERWISE SPECIFIED:
DIMENSIONS ARE IN INCHES
TOLERANCES:
FRACTIONAL ± 1/32
ANGULAR: MACH ± BEND ±
TWO PLACE DECIMAL ±.01
THREE PLACE DECIMAL ± .001

	MATERIAL
	FINISH
	Weight
	DO NOT SCALE DRAWING

	NAME	DATE
DRAWN	--	
CHECKED	--	
ENG APPR.	--	
MFG APPR.	--	

Description:
rocket nosecone tip for Launch Vehicle 3 (LV3) (detail views)

COMMENTS:

DWG. NO. --		
REV	SIZE	SCALE: 1:1
i	A	SHEET 2 OF 2